

[2-way vacuum solenoid valves]



Of a new design, with small dimensions, high volumetric efficiency and high response speed at any vacuum degree, this new series of solenoid valves is the result of a very careful choice of materials, advanced construction techniques coupled with the in-depth knowledge of our technicians.

This solenoid valves series is **PATENTED**.

The DDN vacuum solenoid valves are a two position, direct acting normally closed valve.

The body is made of brass with Viton seals.

Working pressure: from 0 to 1,5 bar absolute.

The electric coil is standard, manufactured in a synthetic resin with an insulation class F (up to 155°C), electrical connection is by means of a plug with clamping screws.

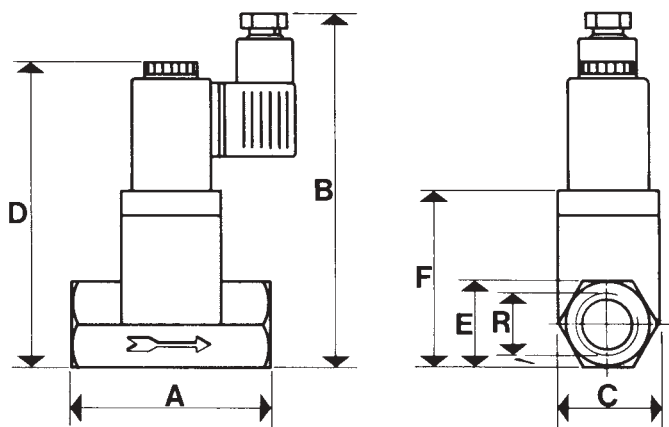
Acceptable tolerance on the nominal value of the voltage: $\pm 10\%$.

Max. input: 17 V.A. in A.C. and 10 Watt in D.C. (only DDN 14 because DDN 25 cannot operate in D.C.).

The valves work better in an inverted position.

The coil may be rotated through 360°.

The DDN solenoid valves are particularly suitable for degassing fittings, autoclaves, vacuum thermo-welders and in all applications where suction has to be controlled separately from the inlet of air into circuit.



| Art. | A | B | C | D | E | F | R Ø | Ø orifice |
|--------|----|-----|----|-----|----|----|--------|--------------|
| DDN 14 | 75 | 127 | 35 | 110 | 30 | 63 | 1/2" | 14 |
| DDN 25 | 90 | 142 | 50 | 128 | 43 | 82 | 1" | 25 |

