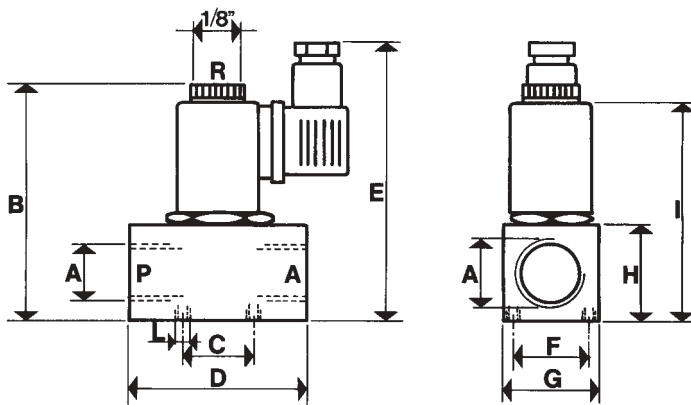


[2- and 3-way vacuum solenoid valves]



Art. 07 .. 16 = 3 vie
Art. 07 .. 20 = 2 vie

Developed specifically for vacuum, they are direct-acting, normally closed.

The two-way solenoid valves have considerably large orifices compared to their sizes.

The three-way ones, although they have different passage orifices, they all have a fixed outlet, through the 3 mm. tube.

Frequency of operation is approx. 700 c/minute. Standard coil, completely plasticized in synthetic resin, tight execution, insulation class F (up to 155°C) electrical connections by means of a plug with clamping screws.

Acceptable tolerance on the nominal value of the voltage $\pm 10\%$.

Max. input: 17 V.A. with A.C. and 17 Watt with D.C.

The coil may be rotated through 360°.

Art.	A Ø	Ø orifice	B	C	D	E	F	G	H	I	L Ø
07 01 16	1/4"	6	73	16	44	86	16	25	25	67	M6
07 02 16	3/8"	10	85	25	65	98	25	35	35	79	M6
07 03 16	1/2"	12	85	25	65	98	25	35	35	79	M6
07 01 20	1/4"	6	73	16	44	86	16	25	25	67	M6
07 02 20	3/8"	10	85	25	65	98	25	35	35	79	M6
07 03 20	1/2"	12	85	25	65	98	25	35	35	79	M6