

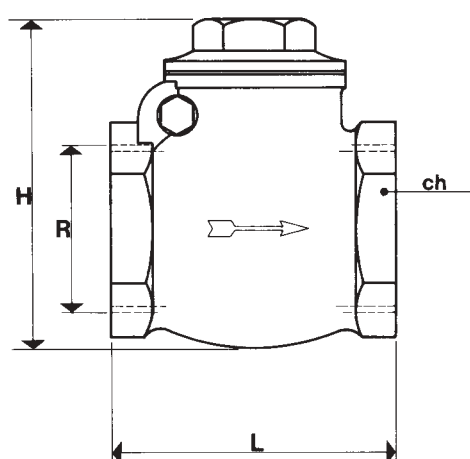
[Check valves]



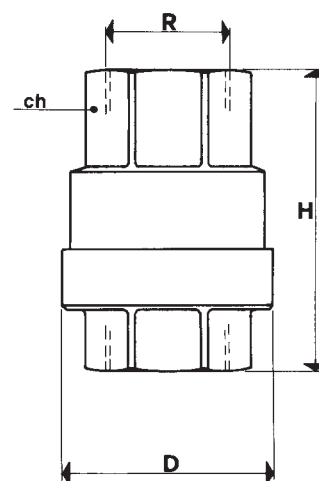
Horizontal and Vertical

They are unidirectional valves made in bronze and with seals in oil-resistant rubber.

For a more practical assembly they can be supplied in two versions: horizontal and vertical. Their function in a vacuum circuit is of auto check. When fitted on the vacuum pumps suction inlets, when the pumps stop, they prevent the air returning through the pump (this is a cause of considerable damages due to the oil returning in the pump stator) to the plant brought to vacuum (pipelines, tanks, autoclaves etc.).



Art. 10 .. 10



Art. 10 .. 11

Art.	R Ø	Ch	D Ø	H	L
10 02 10	3/8"	24	--	48	43
10 03 10	1/2"	27	--	55	51
10 04 10	3/4"	33	--	63	60
10 05 10	1"	40	--	73	65
10 06 10	1"1/4	48	--	88	81
10 07 10	1"1/2	55	--	92	86
10 08 10	2"	66	--	96	97
10 01 11	1/4"	21	28	47	--
10 02 11	3/8"	23	32	57	--
10 03 11	1/2"	27	32	58	--
10 04 11	3/4"	32	41	59	--
10 05 11	1"	39	50	66	--
10 06 11	1"1/4	50	64	86	--
10 07 11	1"1/2	55	70	93	--
10 08 11	2"	67	88	102	--

