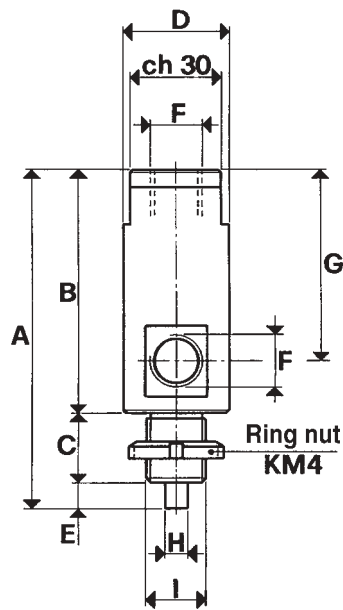




[Mechanically operated valves]



The valves of this series consist of a body in anodized aluminium, a steel pin integral with a conical valve and a stainless steel thrust spring. Connected to vacuum, they are normally closed; they only open when the pin is operated by a cam or any other mechanical device.

Their function is to open suction, therefore to create vacuum in the cups or to the machine, only when the pin is operated.

They can be used as an alternative to plunger valves, when they cannot be directly assembled to the cups.

They can also be supplied in different versions on request.

Art.	A	B	C	D	E	F	G	H	I
				Ø		Ø		Ø	Ø
19 02 30	112	80	23	35	9	3/8"	63	8	20x1