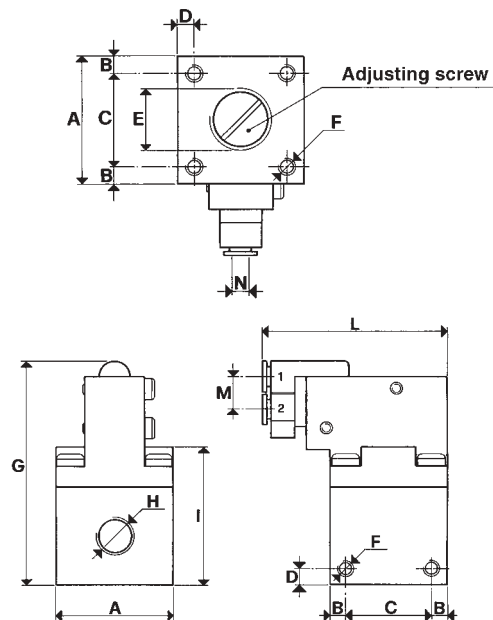




[Pneumatic vacuum switches]



These vacuum switches having very small dimensions, either give or remove a pneumatic signal, according to the model, when a given adjustable vacuum degree is reached.

The pressure differential existing between the set maximum value and the value of reset of the rest signal is not adjustable.

They are particularly suitable to control vacuum generators and to operate pneumatic control valves.

Technical features:

Art. 12 01 30

- Adjustment range:
from 930 mbar to 50 mbar (a).
- Fixed differential: 70 mbar.
- Repeatability: ± 5 mbar.
- Signal: normally closed, on commutation.
- Supply pressure: 2 ÷ 8 bar (g).
- Microvalve maximum capacity: 50 l/min.
- Room temperature: from -10°C to $+60^{\circ}\text{C}$.

Art. 12 02 30

- Adjustment range:
from 900 mbar to 40 mbar (a).
- Fixed differential: 100 mbar.
- Repeatability: ± 5 mbar.
- Signal: normally open, on commutation.
- Supply pressure: 2 ÷ 8 bar (g).
- Microvalve maximum capacity: 50 l/min.
- Room temperature: from -10°C to $+60^{\circ}\text{C}$.

Art.	A	B	C	D	E	F	G	H	I	L	M	N
					\emptyset	\emptyset		\emptyset				\emptyset
12 01 30	30	4	22	4	14	M4	57	1/8"	35	47	8	4
12 02 30	30	4	22	4	14	M4	57	1/8"	35	47	8	4