

[Digital pressure switch]



Contained in a sturdy ABS-capsule, the pressure switch is compact and extremely light; these features allowing installation directly on the machine and close to the application.

The digital pressure switch, accurately calibrated and compensated for temperatures, offers a very precise measurement.

The measured values are shown on the display, making external pressure gauges redundant.

Two LED, one red and one green, installed in the small control panel, show the switch state of the two output digital signals. The two switch outputs are completely independent.

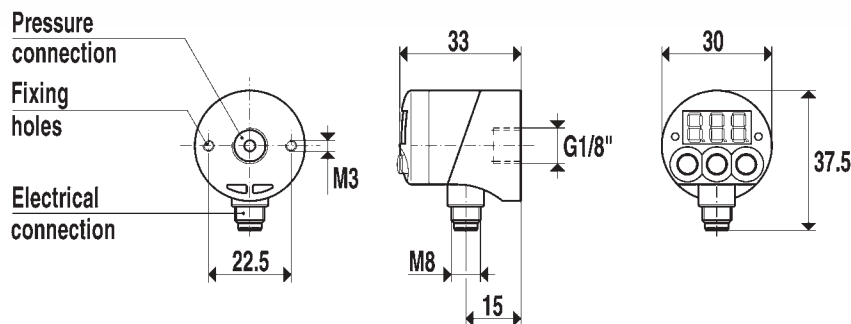
The switch point between 0 and 10 bar(g) as well as the hysteresis from 0 to 100% of the set value can be easily programmed by the means of the small push buttons incorporated in the small control panel. Also, other functions can be programmed, such as the comparison between two values, N.O. and N.C. contacts, unit of measurement choice, locking of the values and of the programmed functions, etc.

The pneumatic connection is a G 1/8 female thread.

The electrical connection is an M8 -4 pin threaded plug; upon request a connection cable is available in PUR, with an axial or radial connector.

This digital pressure switch is suitable for the measurement and the control of dry air and non-corrosive gases.

It is recommended when a signal is required to indicate that a certain pressure level has been achieved, a safety circuit, to start a work cycle or to keep the working pressure inside pre-selected values, etc.



ELECTRICAL FEATURES AND DATA

ART. 12 25 10

Adjustment range	from 0 to 10 bar (g)
Supply voltage	10.8 ÷ 30 VDC (protection against polarity reversal)
Current input	≤ 55 mA to programme; ≤ 35 mA during operation
Switch outputs	2 digital PNP, NO or NC, max switch power 250 mA
Display tolerance	± 1%
Response time	≤ 2,5 ms
Switch frequency	400 Hz
Hysteresis	Adjustable from 0 to 100% of the max set up value
Repeatability	± 0,2% of measuring range
Display	LED 3 digit, 7 segment display
Insulation resistance	<100 M Ω at 500 VDC
Proof voltage	1000 VDC -1 min
Class of protection	IP 65

ENVIRONMENTAL CONDITIONS

Position of installation	anywhere
Measuring fluids	non-corrosive gases and dry air
Working temperature	0 ÷ +50 °C
Storage temperature	-20 ÷ +80 °C
Emitted interference	conforme alla norma EN 50081-1
Interference immunity	conforme alla norma EN 50082-2

MECHANICAL FEATURES AND DATA

Container	plastic ABS-PC
Connections	nickel-plated brass
Weight	~45 g.
Electrical connector	M8-4 pin plug
Connection to fluid	G 1/8" female thread

ACCESSORIES

Electrical connection cable	with an axial connector, mt 5 - PUR M8 x 1 x 0,25 mm - Item No. 00 12 20
Electrical connection cable	with a radial connector, mt 5 - PUR M8 x 1 x 0,25 mm - Item No. 00 12 21
Kit for fixing to wall	adaptor flange with bracket, spacers and screws. - Item No. 00 12 23

