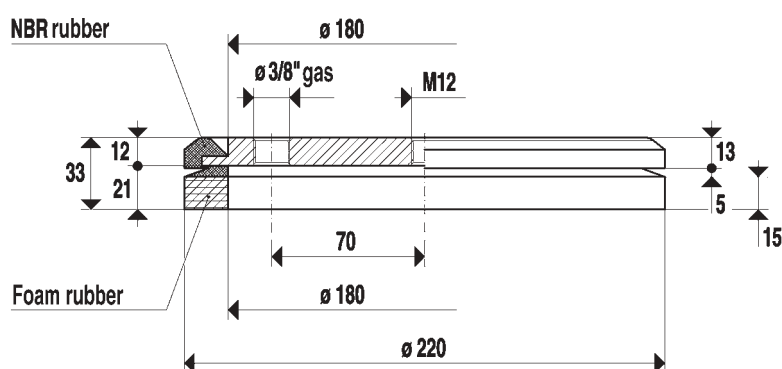


[Special cups]



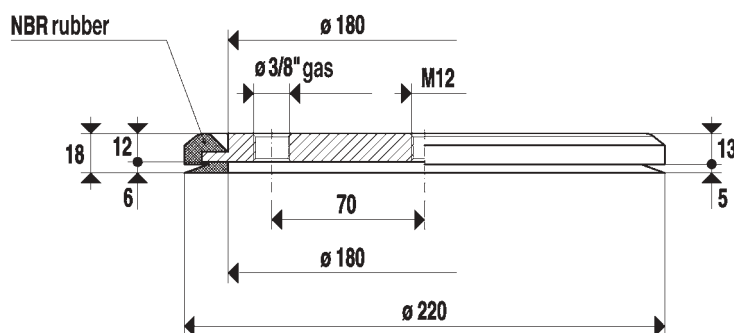
The feature which characterizes these cups from the ones previously described is their lip which is made from nitrile rubber coupled with foam rubbers; this structure allows the grip also in very rough surfaces or even on the grooved ones.

They are particularly suitable to grip and handle cement manufactures with grit finished surfaces, marbles and bushammered or flamed granites. They are also available in oil-resistant rubber, without foamy lip, suitable to handle plates or dressed panels.

The support is in anodized aluminium and the cup is cold assembled onto it, without any adhesive.

As a spare part it is sufficient to request only the cup art. 01 220 10, stating the required compound.

Art.	Force Kg.	Compound
08 220 10N	63.6	Geranium foam rubber Neoprene foam rubber



Art.	Force Kg.	Compound
08 220 10A	78.5	Oil-resistant rubber