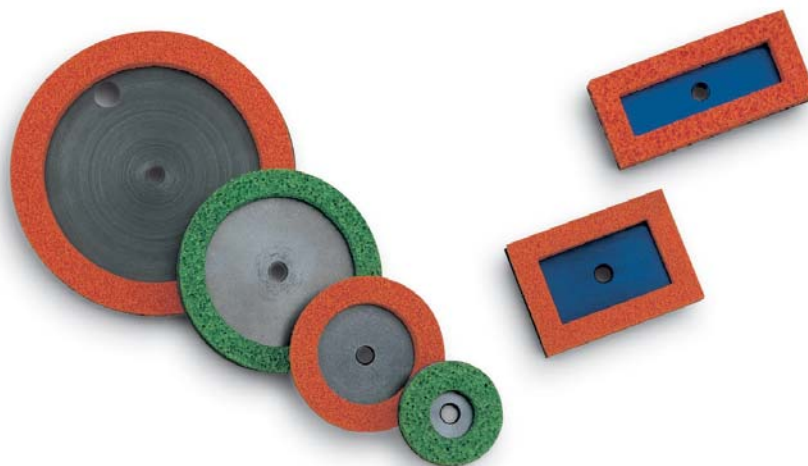


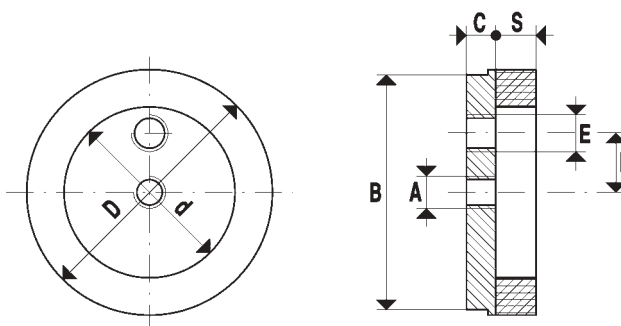
[Foam rubber cups with support]



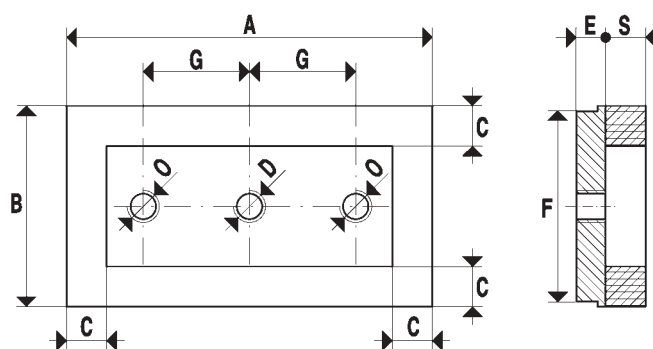
These cups are the same foam rubber cups as previously described, fixed on a proper support in anodized aluminium.

Supports have a central threaded hole to fasten them to the machine or to the cup holder and, upon request can be supplied with side threaded hole for the suction connection.

As a spare part it is sufficient to order only the cup in self-adhesive foam rubber corresponding to the support external sizes and with code O1 ... instead of 08 ...



Art.	Force Kg.	A Ø	B Ø	C	D Ø	d Ø	E Ø	F	S
08 42 15	0.78	M12	40	10	40	20	--	--	15
08 64 15	3.5	M12	60	10	64	40	--	--	15
08 92 15	8.5	M12	88	11	92	64	--	--	15
08 127 15	17.5	M12	120	15	127	92	3/8"	30	15
08 180 15	38.5	M12	160	12	180	140	3/8	60	15



Art.	Force Kg.	A	B	C	D Ø	E	F	G	O Ø	S
08 107 75	9	107	75	15	M12	11	70	--	--	15
08 135 50	6	135	50	15	M12	11	45	--	--	15
08 135 60	8	135	60	15	M12	11	55	--	--	15
08 290 68	25	290	68	15	3/8"	11	62	100	M12	15
08 290 140	72	290	140	15	1/2"	11	134	100	M12	15