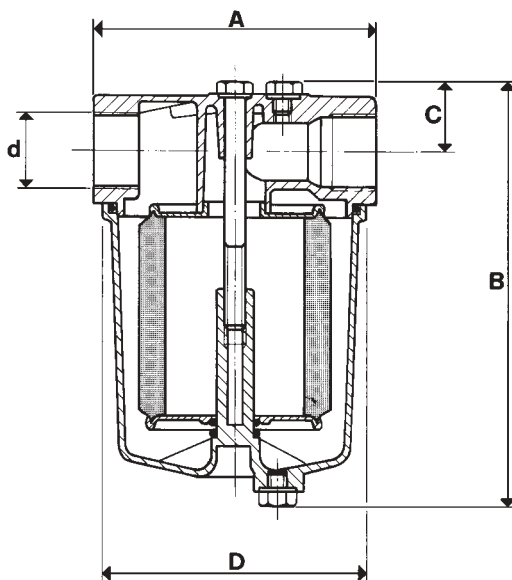


[Suction filters]



Avoiding impurities reaching the vacuum pump is an essential condition to guarantee its satisfactory operation and long life.

The filters of this series, placed on the suction inlet of the vacuum pumps or on the plants line pipings have this purpose.

Made in a simple and rational way, they have threaded couplings for assembly and an easy opening for a rapid servicing of the filtering cartridge.

Covers are in die-cast aluminium as well as the bowls, except the ones of models FB 5, FB 10 and FB 20 which are in a thermoplastic transparent material.

Filtering cartridges are in stainless steel net with a porosity variable from 44 to 100 micron.

The various models of filters cover a capacity range from 5 to 300 cum/h.

| Art. | d Ø | A | B | C | D Ø | Max cap. cum/h |
|-------|--------|-----|-------|------|--------|-------------------|
| FB 5 | 1/4" | 61 | 74.5 | 12.5 | 59 | 5 |
| FB 10 | 3/8" | 81 | 87.0 | 17.0 | 79 | 10 |
| FB 20 | 1/2" | 81 | 116.0 | 17.0 | 79 | 20 |
| FB 25 | 3/4" | 96 | 144.0 | 31.0 | 90 | 40 |
| FB 30 | 1" | 120 | 181.0 | 31.0 | 112 | 70 |
| FB 40 | 1 1/4" | 190 | 255.0 | 39.0 | 182 | 150 |
| FB 50 | 1 1/2" | 190 | 255.0 | 39.0 | 182 | 200 |
| FB 60 | 2" | 182 | 260.0 | 42.0 | 182 | 300 |