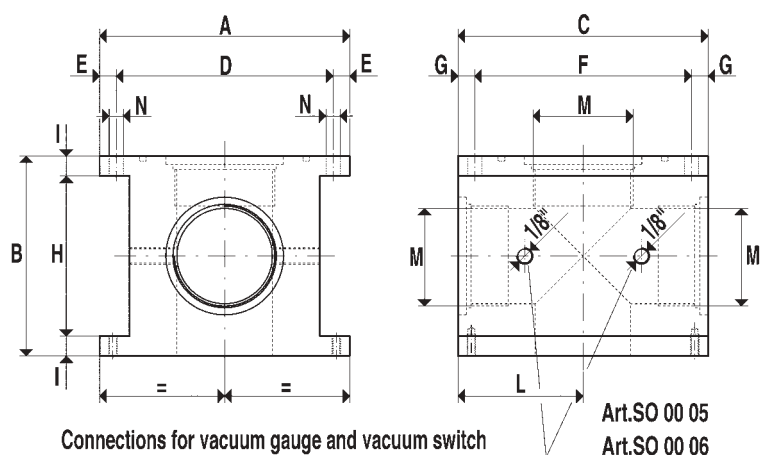
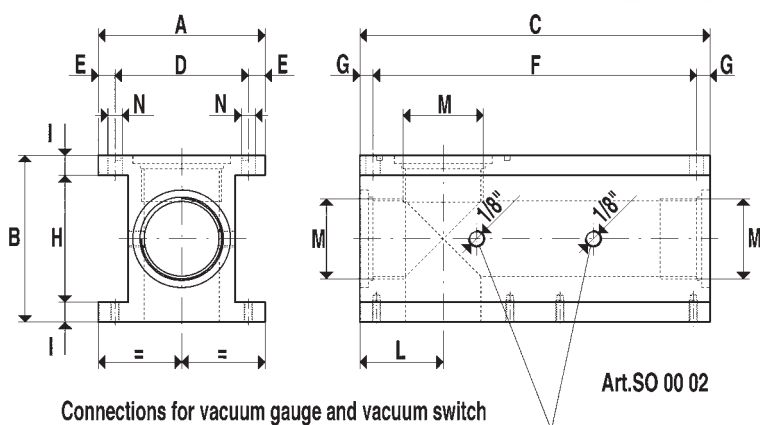




## [Fixing supports with flanges for OCTOPUS systems without vacuum generator]



To connect the OCTOPUS system to a vacuum generator placed far-off or to an alternative vacuum source, it is necessary to use the fixing supports shown and described on this page.

Supports, made of anodized aluminium, have two flanges: one to be fixed to the OCTOPUS system, instead of the generator and the other one to the lifting equipment.

Moreover they are provided with connections for direct connection to the OCTOPUS system, to the generator or to the alternative vacuum source and to the instruments to read and check the vacuum level: unused connections can be closed with the plugs provided for this purpose.

Fixing supports with flanges are currently available in the versions shown on this page and are suitable for the OCTOPUS systems that use the vacuum generators mentioned beside the article:

Art. SO 00 02	PVP 100 ÷ 200M
Art. SO 00 05	PVP 150 ÷ 300MD
Art. SO 00 06	PVP 450MD

N.B.

The vacuum gauges and vacuum switches shown in the picture are not integral parts of the supports.

Art.	A	B	C	D	E	F	G	H	I	L	M	N
											Ø	Ø
SO 00 02	100	100	210	80	10	194	8	76	12	50	1"1/2	8.5
SO 00 05	150	120	150	130	10	134	8	96	12	75	2"	8.5
SO 00 06	150	145	150	130	10	134	8	121	12	75	2"1/2	8.5