

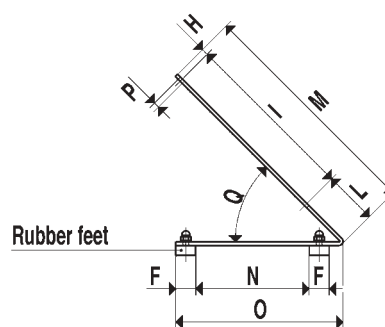
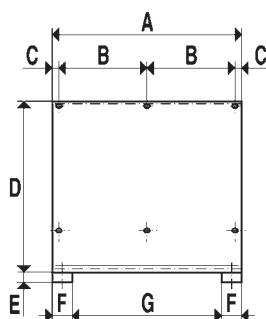
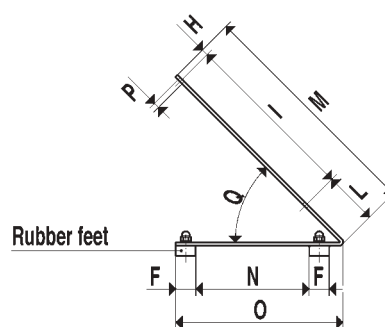
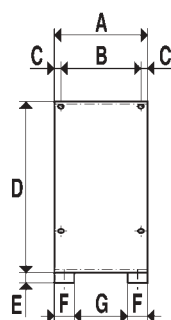
[Holding supports for pneumatic suction and blowing pumps]



The holding supports shown on this page have been designed to allow a quick assembly of the pneumatic suction and blowing pumps and to easily position them on the machine to be interlocked.

They are made with a strong stainless steel plate and are provided with non-slip vibration-damping rubber feet.

These holding supports are currently available for both single and combined pneumatic pumps.



Art.	A	B	C	D	E	F	G	H	I	L	M	N	O	P	Q
						Ø								Ø	
GR DIV 01	140	120	10	270	15	30	80	10	264	81	355	170	250	8.5	45°
GR DIV 02	284	132	10	270	15	30	224	10	264	81	355	170	250	8.5	45°