

[Pneumatic suction pumps PA140, PA170 and PA200]



A line of newly conceived ejectors allowed us to develop this range of pneumatic suction pumps having an extraordinary ratio between the quantity of consumed and sucked air, and to offer the user the possibility to adjust the vacuum level and the capacity, based on the pressure of the supply air. Fed by compressed air with a pressure ranging from 1 to 6 bar (g), they can produce a maximum vacuum of 90% and a suction capacity ranging from 45 to 198 cum/h, measured at a normal atmospheric pressure of 1013 mbar.

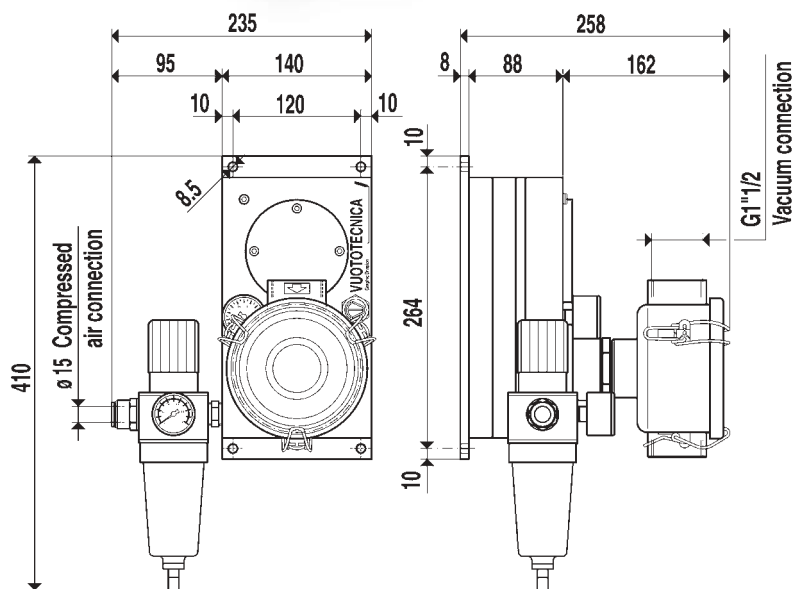
When designing these new pumps, great consideration was given to noise levels and as they have no moving parts subject to wear and therefore no vibrations, they are extremely quiet in operation. Moreover, as they are based on the Venturi principle, they do not develop any heat.

As standard, they are provided with a filter-pressure regulator unit for the supply air and with a filter with micro porous cartridge placed on the suction connection, in order to stop very thin and impalpable powders.

The excellent filtering of the compressed air supply and of the sucked air allows to blow off air free from oil vapours, water condensate and impurities in the working environment, without any problem of pollution.

Using light alloys in the manufacture of these pumps, produces a light weight device enabling direct mounting on the machinery.

Thanks to their static operation principle, maintenance is limited to simple periodic filter cleaning only.



Art.	PA 140						
Supply pressure	bar (g)	1	2	3	4	5	6
Maximum vacuum level	-KPa	15	35	55	70	85	90
Air consumption	NI/s	4.0	6.0	8.0	9.6	11.2	12.8
Vacuum air flow capacity	cum/h	45	80	105	125	140	150
Weight	Kg	7.2					
Art.	PA 170						
Supply pressure	bar (g)	1	2	3	4	5	6
Maximum vacuum level	-KPa	15	35	55	70	85	90
Air consumption	NI/s	5.0	7.5	10.0	12.0	14.0	16.0
Vacuum air flow capacity	cum/h	50	92	120	140	155	170
Weight	Kg	7.2					
Art.	PA 200						
Supply pressure	bar (g)	1	2	3	4	5	6
Maximum vacuum level	-KPa	15	35	55	70	85	90
Air consumption	NI/s	6.0	9.0	12.0	14.4	16.8	19.2
Vacuum air flow capacity	cum/h	60	110	142	170	188	198
Weight	Kg	7.2					
Working temperature	°C	-20/+80					

N.B.: All the vacuum values shown in the table are valid at normal atmospheric pressure of 1013 mbar (a) and obtained with a constant supply pressure.